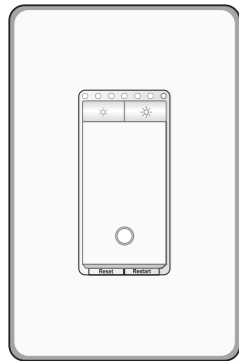


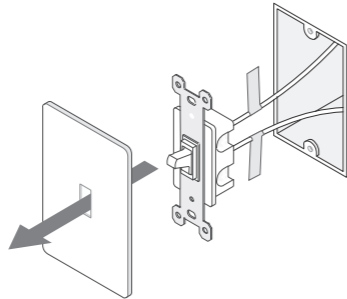
Product Introduction

Kasa smart dimmer switch turns on and dims the lights automatically, saving you effort and electricity bills.



Wire Your Switch

- 1) **Turn off** the circuit breaker. Then remove the old wallplate of the wall switch and label the **Ground** and **Neutral** wires.



Ground: Usually green or copper.

Neutral: Usually white and not connected to the dumb switch.

Line: Usually black and coming from the circuit breaker.

Load: Usually black. One end is connected to the light.

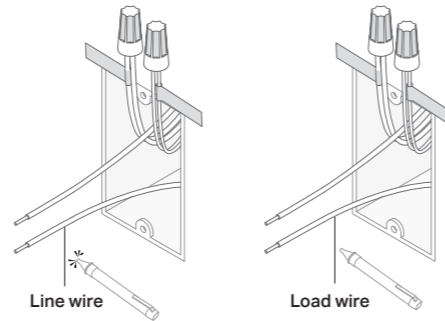
If you are unsure, consult a qualified electrician.

- 2) Disconnect the wires from the old switch.

- 3) Identify **Line** and **Load** wires.

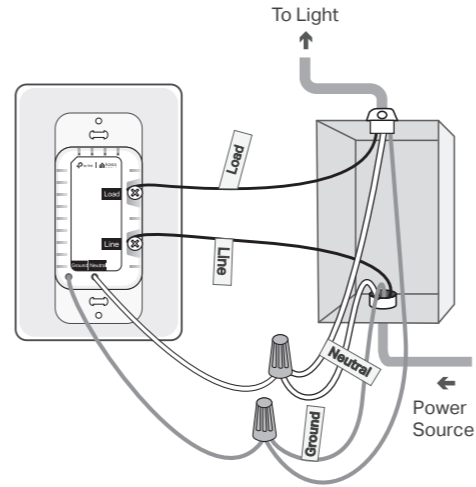
- 1) **Turn on** the circuit breaker. Use a voltage detector to identify the energized wire (**Line wire**).

⚠ Take care to avoid electric shocks.

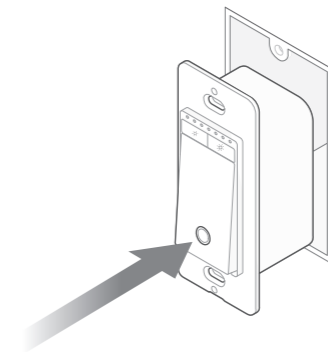


- 2) **Turn off** the circuit breaker. Label the **Line** and **Load** wires.

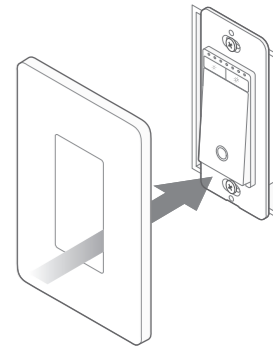
- 4) Connect the wires to the smart dimmer switch as shown below.



- 5) Line up the dimmer switch with the mounting holes. Secure it with screws.



- 6) Attach the wallplate and turn on the circuit breaker. Then the wiring is finished.



↔ Flip the page over to complete setup.

Set Up Your Switch

STEP 1 DOWNLOAD APP

Get the **Kasa Smart** app from the App Store or Google Play.



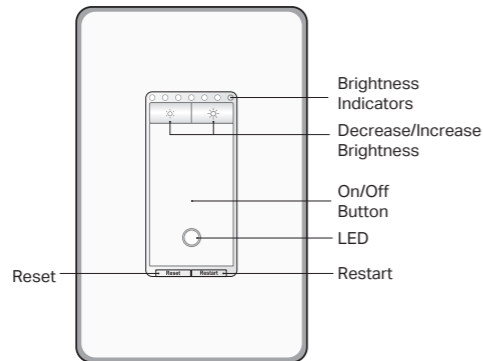
STEP 2 SET UP

Tap the ⊕ button in the app.

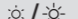
- If your device is white, select **Smart Switches > Smart Dimmer (Wi-Fi)**.
- If your device is black or almond, select **Smart Switches > Smart Dimmer (BLE)**.

And then follow app instructions to complete setup.

Appearance



Button Explanations

	Decrease or increase the brightness.
Reset	Press and hold for about 5s until the LED blinks amber and green to reset Wi-Fi while keeping other settings. Press and hold for about 10s until the LED blinks amber to restore to factory default settings.
Restart	Press to restart your dimmer switch.

LED Status

Solid amber	Starting up.
Blinking amber & green	Ready for setup; Resetting Wi-Fi.
Blinking green	Connecting to Wi-Fi.
Stay green for 30s	Connected to Wi-Fi.
Solid red	Disconnected from Wi-Fi.
Blinking amber	Device resetting.
White	Light fixture is off.

Third-Party Services

Kasa works with Alexa, Google Assistant, and other third-party services to control your dimmer switch by voice. Go to **Me > Third-Party Services** in the Kasa Smart app to integrate third-party services.

For step-by-step setup instructions, please visit:

- **Google Home Assistant:**
<https://www.tp-link.com/support/faq/1534/>
- **Amazon Alexa:**
<https://www.tp-link.com/support/faq/944/>

Specifications

Rating: 120V~ 60Hz

Max Load: 300W Incandescent/Halogen, 150W LED
Dimming Type*: Leading Edge Dimming / TRIAC Phase Cut

Operation temperature: 0~40°C

*We recommend contacting your bulb's customer support to verify its compatible dimming options.

Method of mounting included: Independently mounted (Vertically position only);
Operating control, Type 1.Y action
Pollution Degree 2, Rated Impulse Voltage 2500 V
Software Class A, NEMA Type 1

CAUTION

High Voltage-Disconnect power supply at the circuit breaker before servicing

MISE EN GARDE

Haute tension : débranchez l'alimentation électrique au niveau du disjoncteur avant l'utiliser

Safety Notice

Before installing, servicing or removing the switch, read and follow all safety precautions including the following:

- **CAUTION – Risk of Electric Shock –** More than one disconnect switch may be required to de-energize the equipment before servicing. A circuit breaker which disconnects the Line and Neutral conductor simultaneously is suitable. Ensure power is off at the circuit breaker before removing or installing any switch. Use a non-contact voltage tester to ensure the power is off.
- The Smart Switch must be installed and used in accordance with the National Electric Code (NEC) or your local electrical code. If you are unfamiliar with these codes and requirements, or are uncomfortable performing the installation, consult a qualified electrician.
- Do not install the Smart Switch with wet hands or when standing on wet or damp surfaces.
- Install only in a suitable UL Listed outlet box (suitable dimensions: H > 2.95 in./75 mm, W > 1.81 in./46 mm, D > 2 in./51 mm).
- Tighten terminal screws to 13 lbf-in.

Support

For technical support, the user guide and other information, visit <https://www.tp-link.com/support/>.



Quick Start Guide

Smart Wi-Fi Light Switch, Dimmer